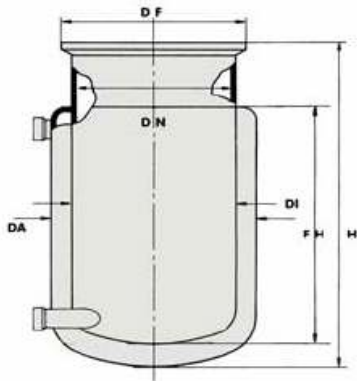
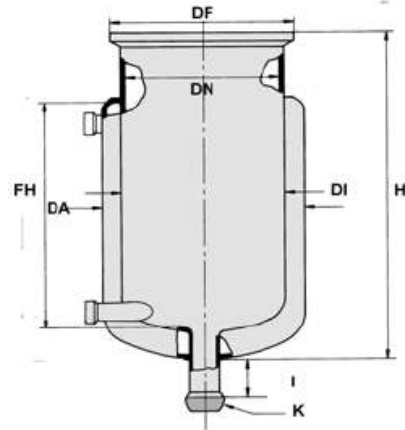


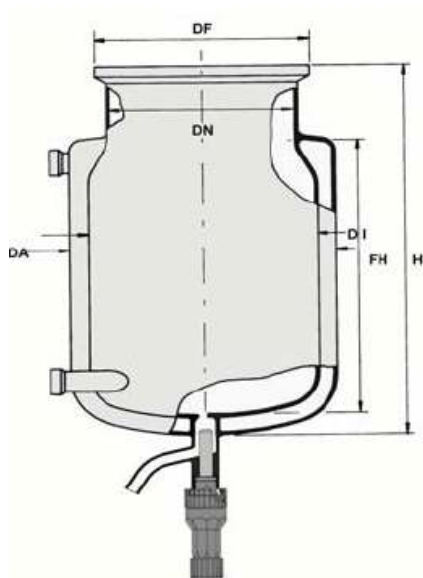
ALL GLASS REACTORS



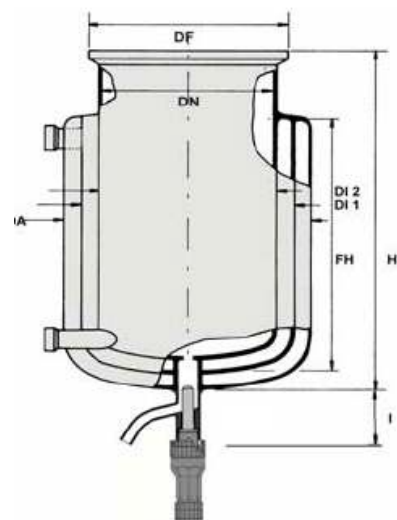
Cylindrical Jacketed Vessel,  
without bottom drain outlet



Cylindrical Jacketed Vessel,  
with bottom drain outlet

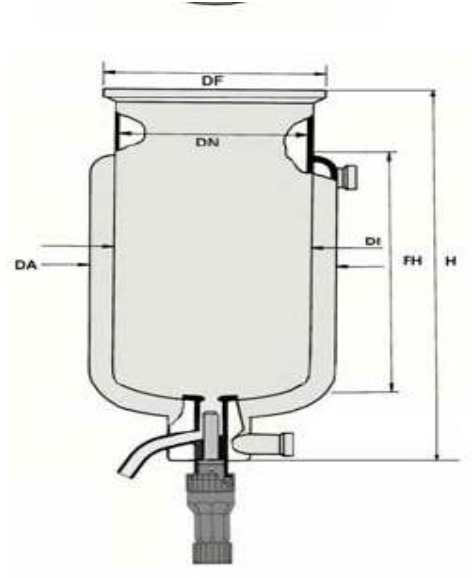


Cylindrical Jacketed Vessel,  
with bottom drain valve

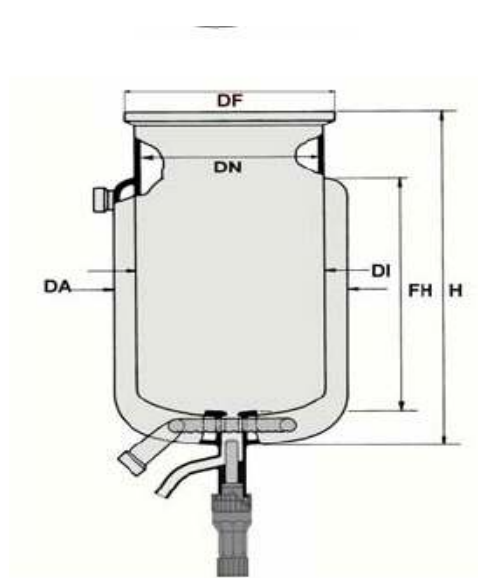


Triple wall Cylindrical Vessel,  
with bottom drain valve

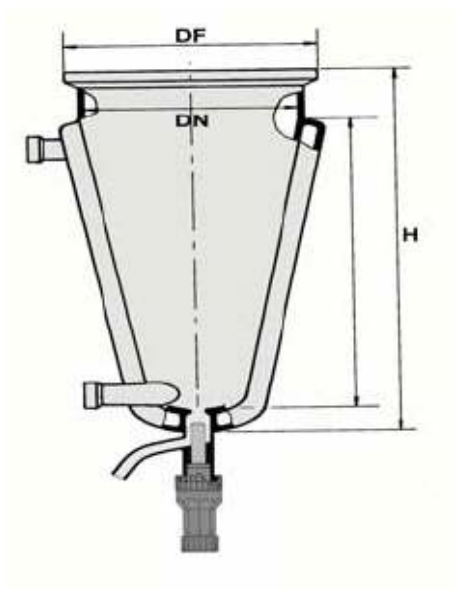
ALL GLASS REACTORS: Special Designs



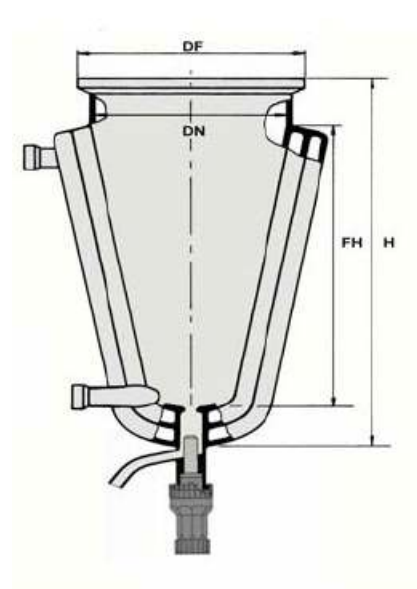
Bottom drain valve with heating jacket



Jacket with circular distributor for thermal fluid



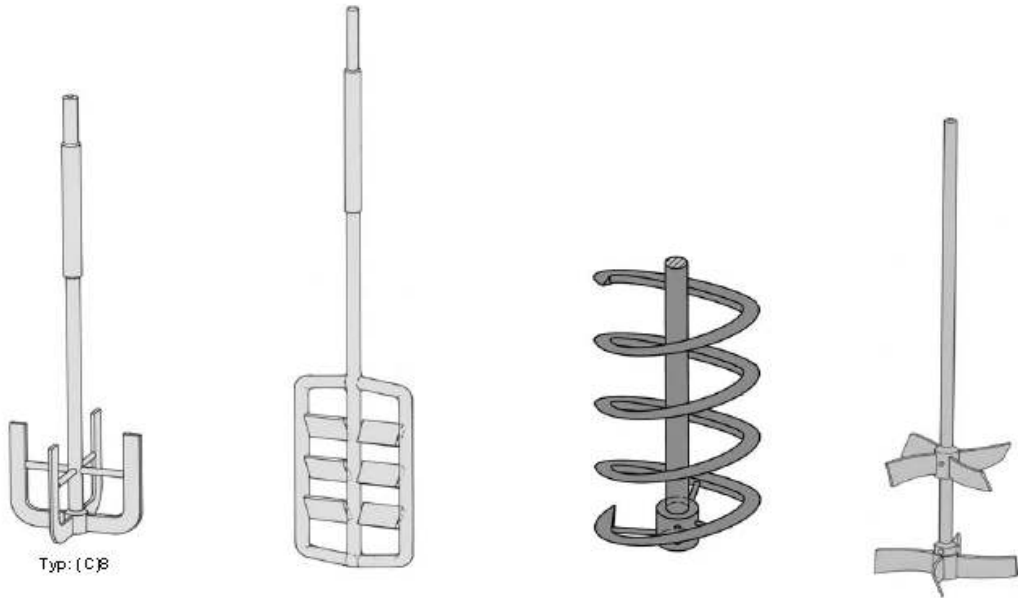
Conical Vessel Double wall



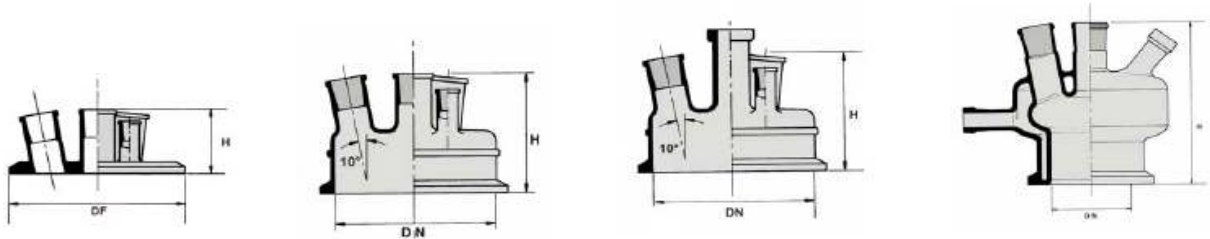
Conical vessel Triple wall

Accessories

Stirrers: various designs and MOCs



Cover Plates: various Designs



Frames and clamps for Reactors

